

Superior V-Guided
Belt Tracking

24VDC iDrive v2
Technology

Fast & Simple to Use
Online Configurator

Affordable
Precision Conveyors



DCMove BELTED SERIES

Heavy Duty, Painted Steel Construction
Fabric Belt Conveyors

DORNER[®]
By Columbus McKinnon

Dorner DC Move Conveyors are Best for:

- Packaging & Packaging Machines
- General Material Handling
- E-Commerce & Logistics



Specifications

Flat & Cleated Belt Conveyor Configurations

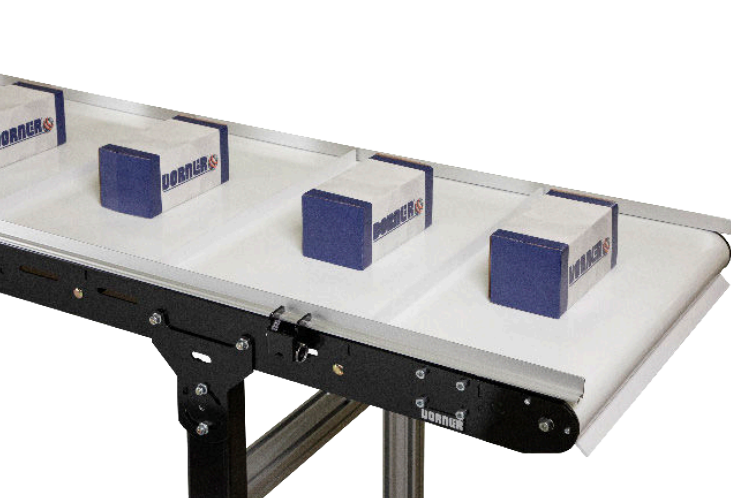
- End Drive Conveyors
 - Load Capacity: up to 181 kg (400 lbs.)
 - Belt speeds up to 183 m/min (600 ft/min)
 - Belt widths: 254 to 1,219 mm (10 to 48 in)
 - Conveyor lengths: 960 to 12,000 mm (38 in to 40 ft)
- Center Drive Conveyors (flat belt only)
 - Loads up to 455 kg (1,000 lbs.)
 - Belt speeds up to 183 m/min (600 ft/min)
 - Belt widths: 254 to 1,219 mm (10 to 48 in)
 - Conveyor lengths: 1,510 to 30,000 mm (60 in to 99 ft)

iDrive Conveyors

- Belt widths: 254 to 914 mm (10 to 36 in)
- Conveyor lengths: 1,010 to 3,022 mm (40 in to 10 ft)
 - Single 24VDC brushless motor;
 - 5 gear ratios to select from
 - from 1 to 37.9 m/min (3.3 to 124 ft/min)
 - up to load of 68 Kg (150 lbs)
 - Dual 24VDC brushless motors;
 - 7 gear ratios to select from
 - from 0.8 to 45.8 m/min (2.6 to 150 ft/min)
 - up to load of 80 Kg (176 lbs)

Conveyor Applications

- Heavy loads less than 400 lbs.
- Large packages
- Multi-lane product conveyance
- Palletizers
- Distribution Center Precision Application
 - Printing
 - Labeling
 - Marking
 - Scanning
 - Picking/Sorting; Human and/or Robotics





End Drive

- Provides cost effective package handling, widths 254 mm (10 in) to 1219 mm (48 in) with 76 mm (3 in) diameter rollers



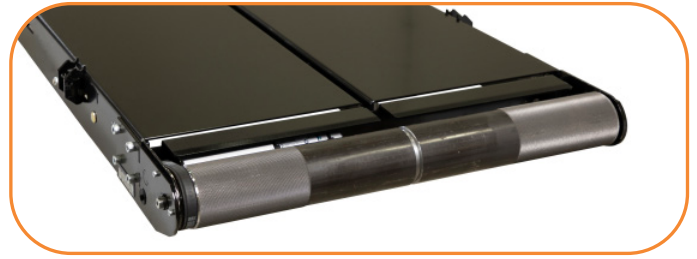
Nose Bar

- 32mm (1-1/4 in) bar option; ideal for accurate package transfer



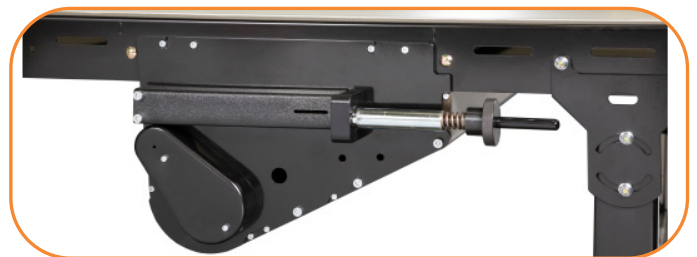
Flush Side Frames

- All bearings and components located inside conveyor frame for flat sided tails that fit in tight spaces



iDRIVE

- The industry's most compact internal drive for 24/7 operation in conveyors as narrow as 254 mm (10 in) wide



Center Drive

- Provides longer length of conveyor up to 30,000 mm (98 ft)



V-Guided Belt Tracking

- Superior V-guided belting eliminates the need for tracking adjustments

The Benefits of a Dorner DCMove Material Handling Conveyor

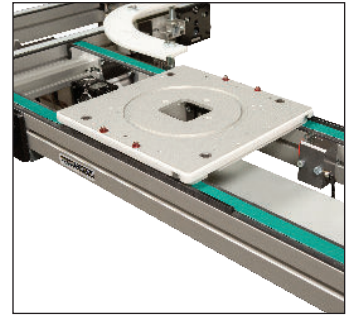
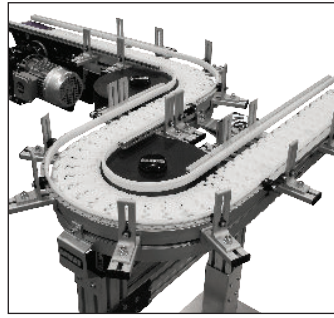
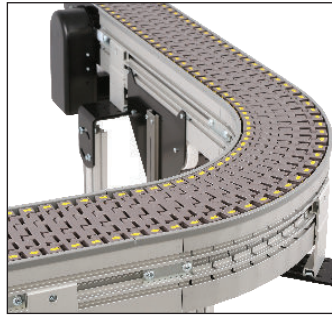
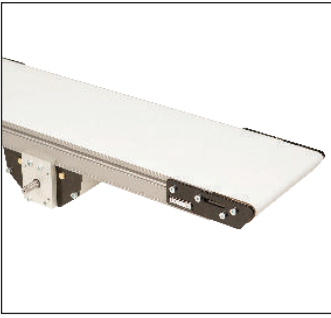
Low Maintenance

- Dorner's industry best V-guiding provides positive belt tracking, even under demanding side load applications
- Painted steel construction for most cost competitive package movement
- Precise rack and pinion belt tensioning
- Sealed for life bearings

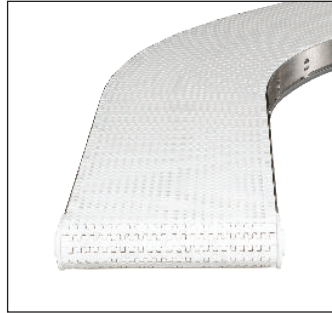
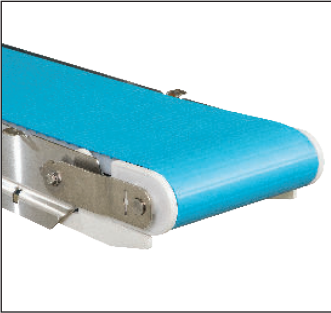
Time Saving

- Dorner's online configurator engineers simple or complex conveyors to meet your needs in minutes
- The industry leading tool delivers a complete 3D CAD assembly model for instant validation of fit
- Dorner provides the industry's fastest deliveries

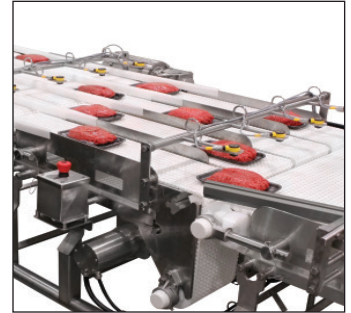
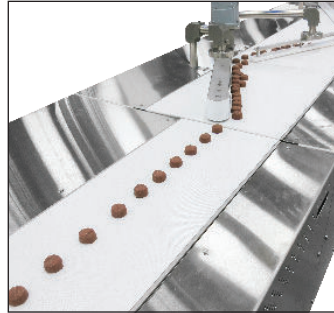
Industrial & Automation Conveyors



Sanitary Conveyors



Engineered Solutions



Parts & Service



Online Configurator



Warranty



TRANSFORMING CONVEYOR AUTOMATION

Dorner – North & South America

Dorner – U.S.A. Headquarters
Hartland, Wisconsin, USA
(262) 367-7600
info@dorner.com

Dorner – Canada
Burlington, Ontario, Canada
(289) 208-7306
info@dorner.com

Dorner – Latin America
Zapopan, Jalisco, Mexico
+52.33.30037400
info.latinamerica@dorner.com

DORNER®

By Columbus McKinnon

Dorner – Europe

Dorner – Germany
Jülich, Germany
+49 (0) 2461/93767-0
info.europe@dorner.com

Dorner – France
Velizy-Villacoublay, France
+33 (0)1 84 73 24 27
info.france@dorner.com

Dorner – Asia

Penang, Malaysia
+604-626-2948
info.asia@dorner.com

dornerconveyors.com

© Dorner Mfg. Corp. 2023. All Rights Reserved.
851-984 0223