

# ASCO™ Solenoid Valve

## 2/2 Normally Closed – Direct Acting - G 1/8

Series  
**L120-V07-V15**

### Features

- Direct acting solenoid valve, small body size
- Suitable to shut off liquid and gaseous fluids  
(verify the compatibility of fluid with material in contact)

### Technical Features

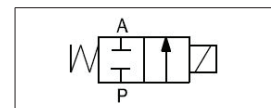
Maximum Allowable Pressure (PS)	40 bar
Opening Time	~20ms
Closing Time	~20ms
Fluid Temperature	0°C +130°C
Max Viscosity	5°E (~37 cStokes or mm <sup>2</sup> /s)

### Coil

Approval	UL/IMQ; UL (class F) – for UL cl. H: ZA34 (E153691)	
Continuous Duty	ED 100%	
Encapsulation Material	PPS (Polyphenilsulfure) fiberglass reinforced	
Insulation Class	F (155°C) on request class H (180°C)	
Ambient Temperature	-10°C +50°C	
Electric Connections	DIN 46340 - 3 poles plug-connectors (EN175301-803)	
Protection Degree	IP67 (EN 60529) with plug-connector	
Voltages	DC	12-24V (+10% -5%)
	AC	24V/50Hz - 110V/50Hz (120V/60Hz) - 230V/50Hz (+10% -15%) (Other voltages and frequencies on request)

### Materials in Contact with Fluid

Body	Brass & brass low lead content only for L120V15
Sealing	FPM
Internal Components	Stainless steel
Seat	Stainless steel
Core Tube	Stainless steel
Shading Coil	Copper



Port Size ISO 228 (NPT/G)	Orifice Size (mm)	Δp Min	Differential Pressure (bar)				Kv (m <sup>3</sup> /h)	Series and Type		Power Absorption			Sealings	Notes	Weight (kg)
			Δp Max					Valve	Coil	AC (VA)		DC (W)			
			Gases		Liquids					Inrush	Holding				
G 1/8	2.3	0	AC	DC	AC	DC	0.15	L120V07 L120V15	ZA10A	23	14	9	FPM	1 - 2 1 - 2 - 3	0.260

Sealings: FPM=Fluoro-carbon elastomer  
 IMQ CSV approval, see ZA10 datasheet for further details  
 1- Solenoid valve with stainless steel seat.  
 2 - On request special coil ZA10X, class "F", with UL homologated windings – see overleaf.  
 3 - D.M 174/2004 and CE 1935/2004 approved

### Coil for Special Voltages ZA10X

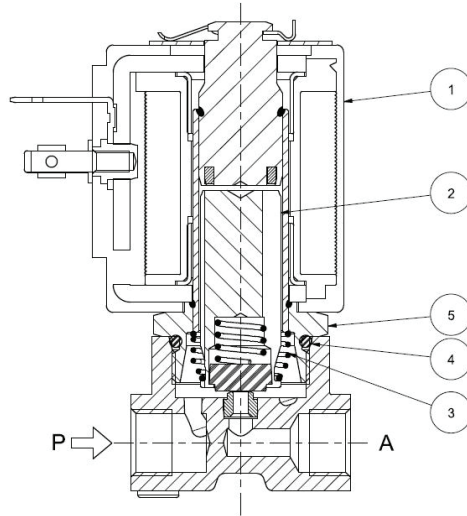
Approval	UL (class F); see voltages	Electric Connection	DIN 46340 - 3 poles plug-connectors (EN175301-803)
Continuous Duty	ED 100%	Protection Degree	IP 67 (EN 60529) with plug-connector
Encapsulation Material	PPS (Polyphenilsulfure) fiberglass reinforced	Voltages	AC
Insulation Class	F (155°C)		
Ambient Temperature	-10°C +50°C		
		24V/50-60Hz (UL) • 100V/50-60Hz 115-120V/60Hz • 200V/50-60Hz 220-230V/50Hz - 208-240V/60Hz (UL) 220-240V/50Hz (UL) • (+10% -15%)	

Port Size ISO 228	Orifice Size (mm)	Δp Min	Differential Pressure (bar)				Kv (m <sup>3</sup> /h)	Series and Type		Power Absorption			Sealings	Notes	Weight (kg)
			Δp Max					Valve	Coil	AC (VA)		DC (W)			
			Gases		Liquids					Inrush	Holding				
G 1/8	2.3	0	AC	DC	AC	DC	0.15	L120V07 L120V15	ZA10X	23	14	-	FPM	1	0.270

Sealings: FPM=Fluoro-carbon elastomer  
 1- Solenoid valve with stainless steel seat.

1503/1605 Availability, design and specifications are subject to change without notice. All rights reserved.

**Spare Parts**



Kit Description	Kit P.N.	Consisting of
Core kit	G3022803	Core (with core return spring) pos. 2 or guide assembly pos.4
Core return spring kit	G3022401	N.10 core return spring pos. 3
OR guide assembly kit	GU2424000017	N.10 or guide assembly pos. 4
Guide assembly kit	G31486	Guide assembly pos. 5 Coil clip
Coil	ZA10A ZA10X	Coil pos. 1

**Installation**

- Solenoid valve can be mounted in any position; vertical with coil upwards preferred.

**DIMENSIONS (mm)**

